

16PM

4X2 TRACTOR-35T GCW



The **ROCK SOLID** Performer

- Factory fitted sleeper cabin. Ready to use
- High torque output suited for trailer applications
- 4 Cylinder CRDI Engine with superior fuel economy
- Reliable & Durable — Heavy Duty performance

16PM

4X2 TRACTOR-35T GCW

Bharat Stage III

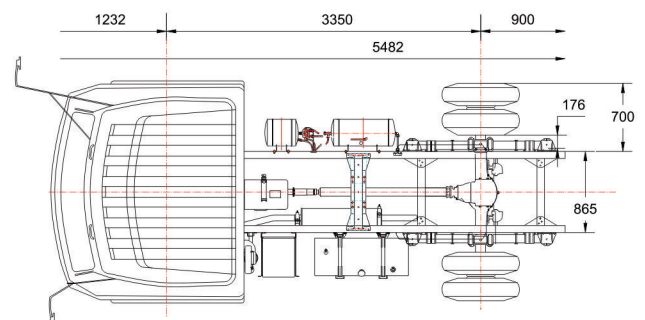
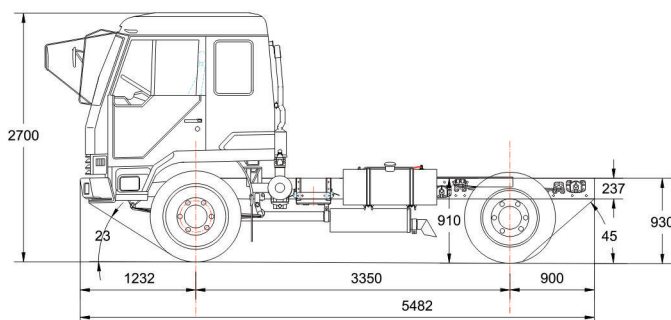
Application : Cement, Containers, Steel etc.

Technical Specifications

Model	16 PM	Wheel	7.0 - 20
Wheel base (mm)	3350	Tyres	9.00 X 20 16 PR
GCW (kgs)	35000	Turning radius (m)	5.75
Engine	BS-III (4 Cylinders) CRDI Displacement: 4.752L	Ground clearance (mm)	245
Max. power	110KW@2300RPM	Gradeability	21%
Max. torque	530@1400 rpm	Fuel tank	160 ltrs
Transmission	6 forward and 1 reverse	Max. speed	93 km/h
Clutch	Dry type, Single plate, Hydraulic controlled, Φ350(mm)	Electricals	12v/120Ah
Steering	Power steering	Length (mm)	5482
Suspension	Semi-elliptical, Multileaf Spring	Width (mm)	2378
Brakes	Dual circuit, air pressure exhaust brake	Height (mm)	2700 (unload)

CAUTION : Do not weld or drill on chassis frame. Accessories shown in the picture or elsewhere do not constitute standard fitment. The specifications are subject to change without notice. These are indicative specifications for reference only.

All dimensions in mm



Trucks from URAL India Ltd.

For further details :
URAL INDIA LTD.
 Motijug House 1, Auckland Place, Kolkata - 700017
 Phone : +91.33.2283 1748 / 49 / 50
 Fax : +91.33.2280 0670
 E-mail : uralindia@vsnl.net
 Visit us at : www.uralindia.co.in

Authorised Dealer